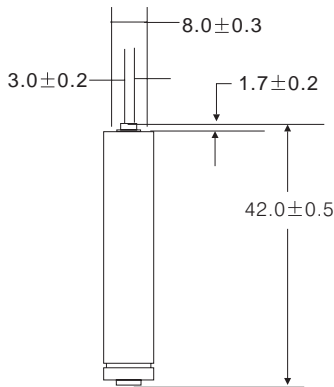


ALKALINE BATTERY

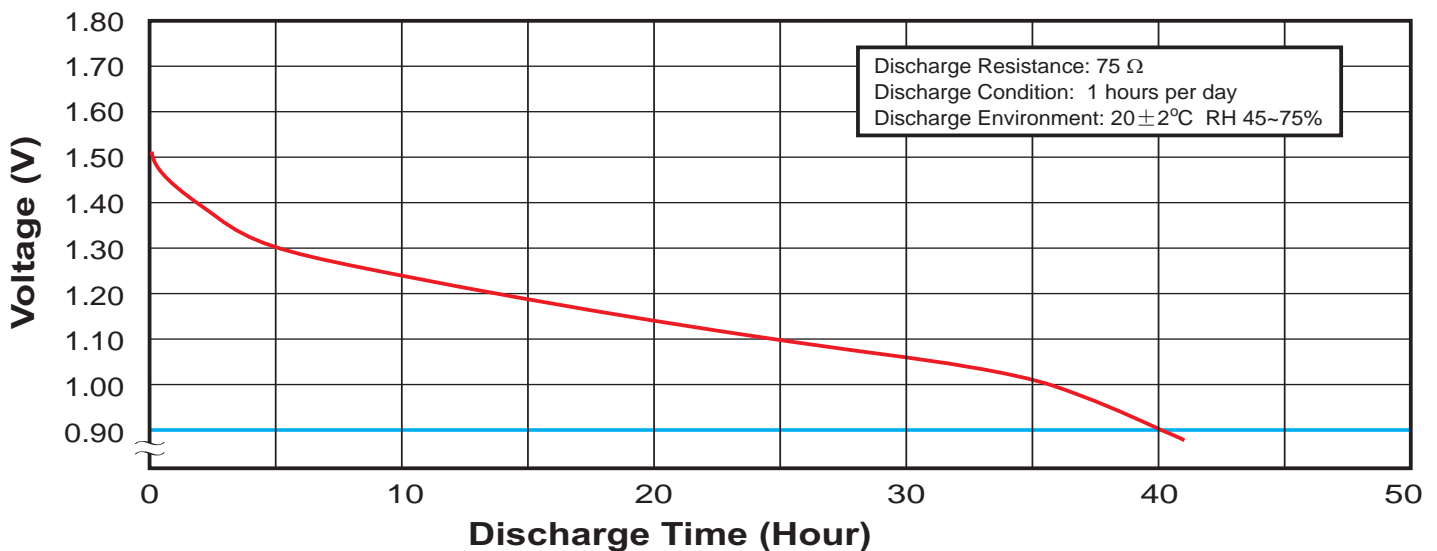
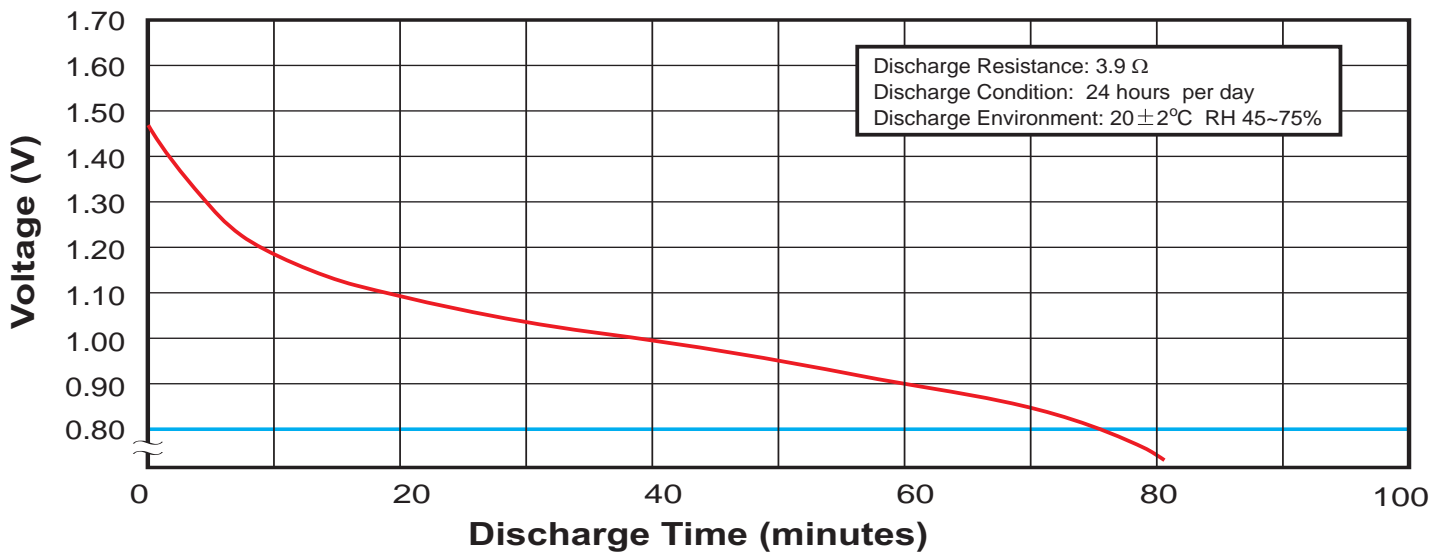
Document Title: Pb035961

LR61(AAAA)



Unit:mm

Chemical System	: Primary Alkaline
Camelion No.	: LR-AAAA
IEC No.	: LR 8D425
ANSI/NEDA NO .	: 25A(AAAA)
Average Weight	: 6.5g
Dimension(∅ x H)	: 8.3 x 42.5mm
Terminals	: Flat
Nominal Voltage	: 1.5Volts
Nominal Capacity	: 580mAh
(At 20±2°C, Discharge at 25mA to 0.8V)	
Jacket	: Aluminum Foil Label
Environmental	: No mercury and Cadmium added formulation



This data is subject to change. Please contact Camelion for the last information.